

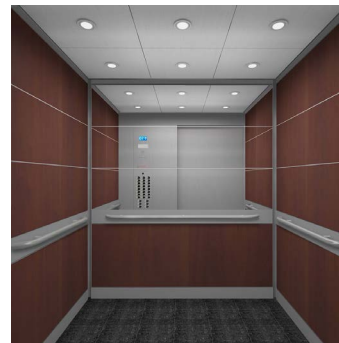
# CAB INTERIORS



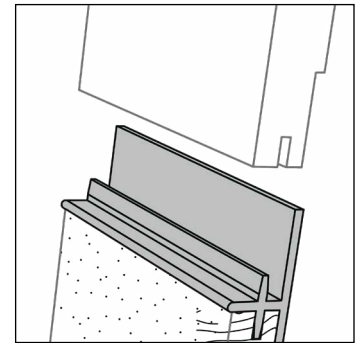
## ASHBURY

The Ashbury and Providence models come with patented A-Look™ extrusion encasing which protects panel edges. The precise engineering provides durability and a superior fit and finish for your elevator cab interior.

Providence



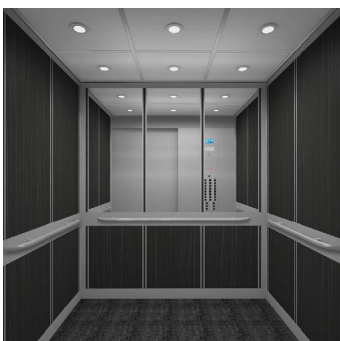
A-Look™ binder



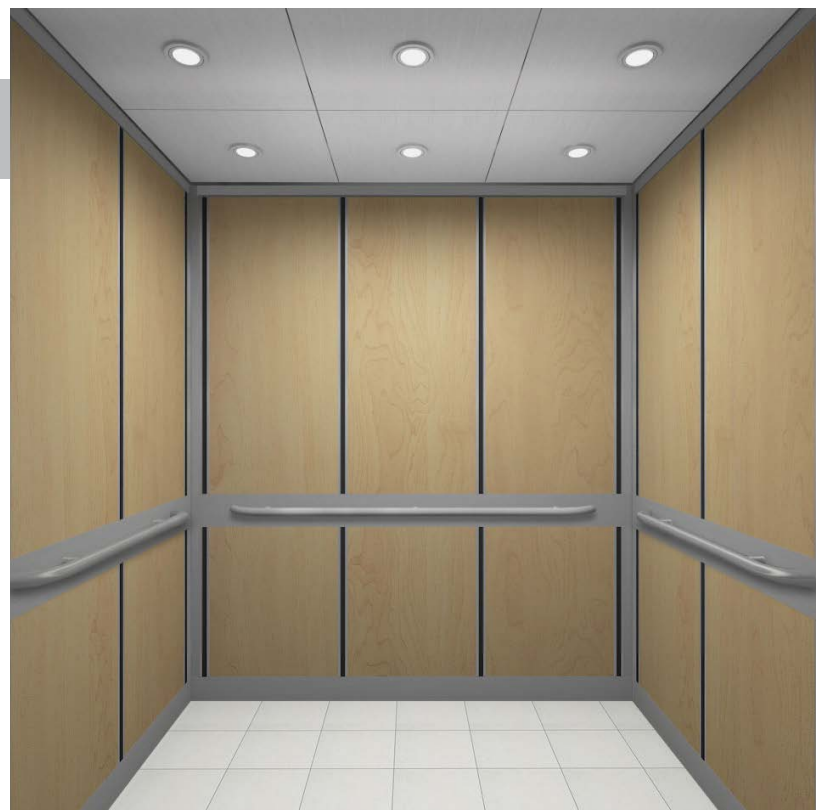
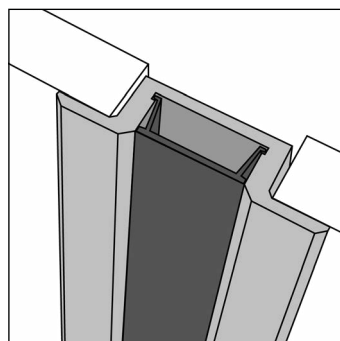
## ST. LOUIS SQUARE

The St. Louis Square and Federation Square models come with patent pending C-Look™ extrusion encasing with black "glass reinforced" polycarbonate inlay. By using a variety of materials such as glass, laminate and stainless steel, this model blends new and old world themes into an innovative design.

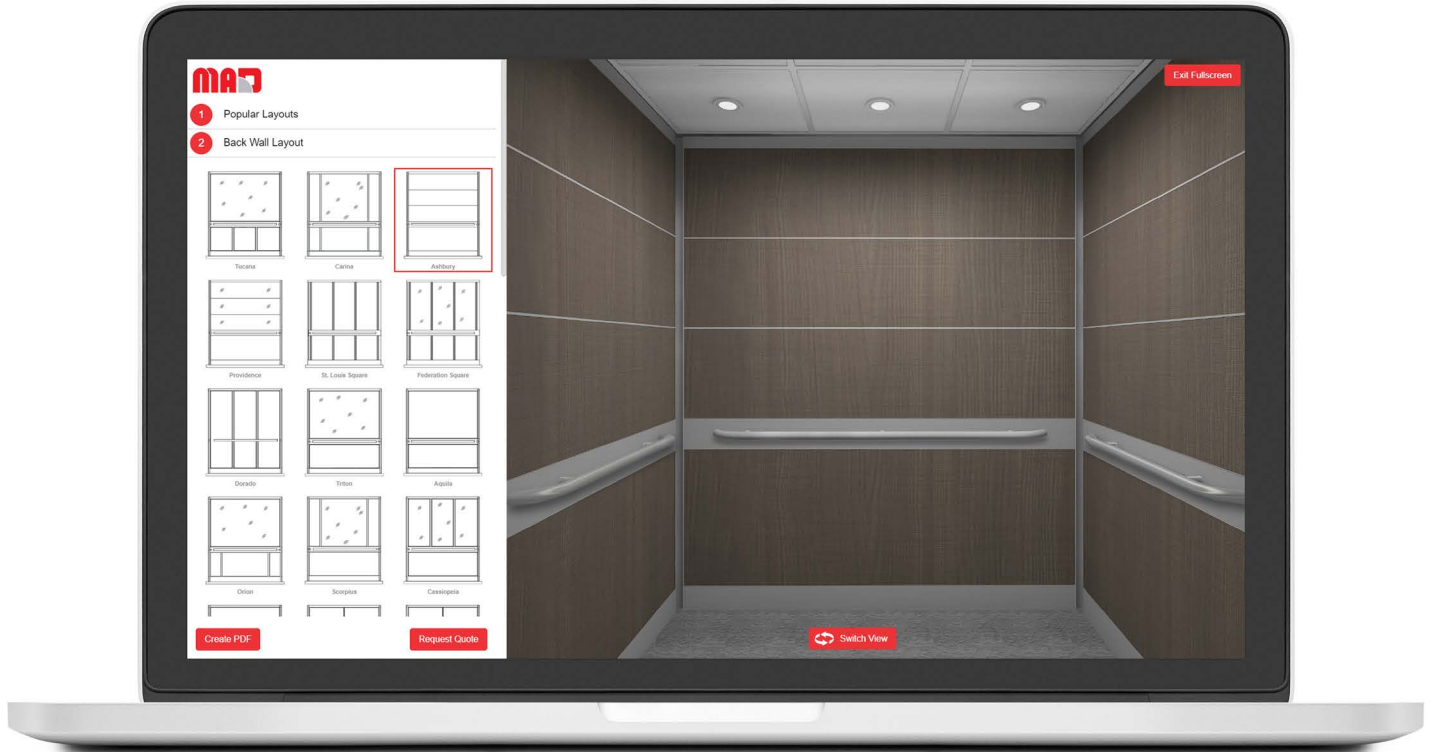
Federation Square



C-Look™ binder



# NEW! MAD Cab Configurator



Design a cab from anywhere with an internet connection!

Using a computer or tablet (iOS/Android), the user can interactively make selections to work with their client to finalize their cab project concept.

- ✓ Interactive real-time changes allows users to mix and match perfect combinations.
- ✓ Over 10,000 possible designs.
- ✓ Request a quote directly from the MAD Cab Configurator.
- ✓ Save a PDF of your design for your records and for approval from customers.
- ✓ Reduce approval time and drawing revisions by using MAD Cab Configurator before ordering.

Enter the below address in your web browser to start!

[config.madelevator.com](http://config.madelevator.com)

This publication is for general informational purposes only. Product design and specifications are subject to change without notice. Actual product colors and finishes may vary.

Copyright © 2018 MAD Elevator Inc.



[www.madelevator.com](http://www.madelevator.com)



[customerservice@madelevator.com](mailto:customerservice@madelevator.com)